



K37是單向拉杆封，由1個經硫化組成的橡膠夾織物和橡膠密封環和1個1個聚甲醛承托環組成。

產品優勢

- 即使是粗糙的表面也能運行良好
- 夾織物材料防止密封被擠出
- 低壓下良好的密封效果
- 支撐環改善了密封間隙

用途

采礦設備，維修市場，液壓機械，印刷機和標準油缸

材料	代碼
NBR 80 SHORE A	NB8001
丁腈橡膠夾織物	NB8008
POM	PM9901

操作條件

介質	礦物油 (DIN 51524)	水基傳動液和 HFB乳化液	HFC
溫度	-30°C +105°C	+5°C +60°C	-30°C +60°C
壓力	≤400 Bar	≤400 Bar	≤400 Bar
速度	≤0.5 m/sec	≤0.5 m/sec	≤0.5 m/sec

注意：以上條件數據均為最大值，不能全部同時達到。

表面光潔度		Ra	Rmax
滑動表面	Ød	≤0.4 µm	≤3.2 µm
溝槽底部	ØD	≤1.8 µm	≤6.3 µm
溝槽側面	B	≤3.2 µm	≤16 µm

注意: 建議工作表面材料接觸區域值在50% 到 90%

安裝

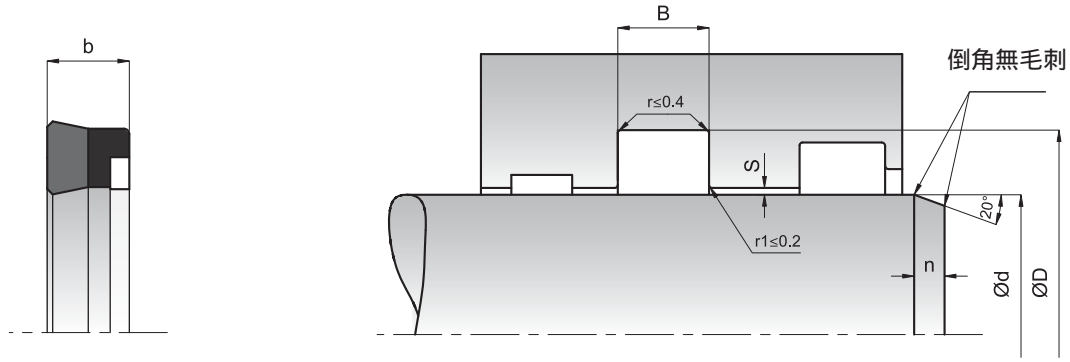
K37是安裝在開口式溝槽。非常重要是安裝工具必須是軟質材料并且沒有銳角，在安裝之前，此密封件必須塗上系統用壓力油。

注意

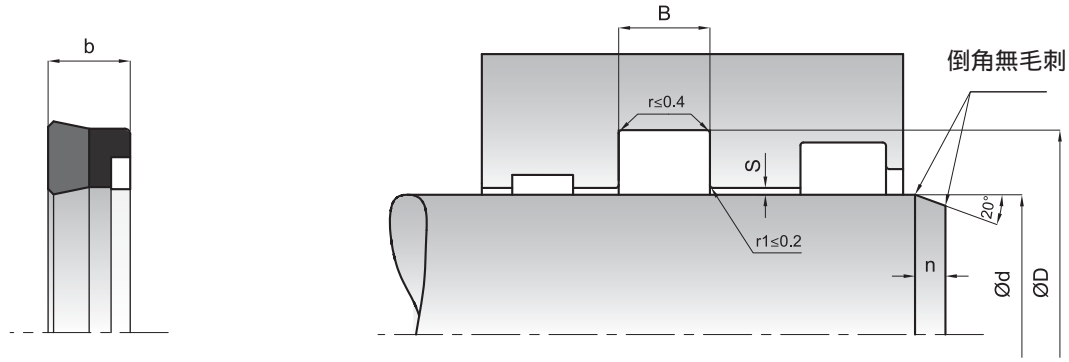
K37的可容密封間隙如下表。

可容密封間隙	
壓力 (Bar)	Smax (mm)
150	0.4
250	0.3
400	0.2

注意：出現在常壓下的密封的最大密封間隙值對密封的功能起到至關重要的作用。在這個層面上，使用低於上面所指出的數值的S值是很重要的。

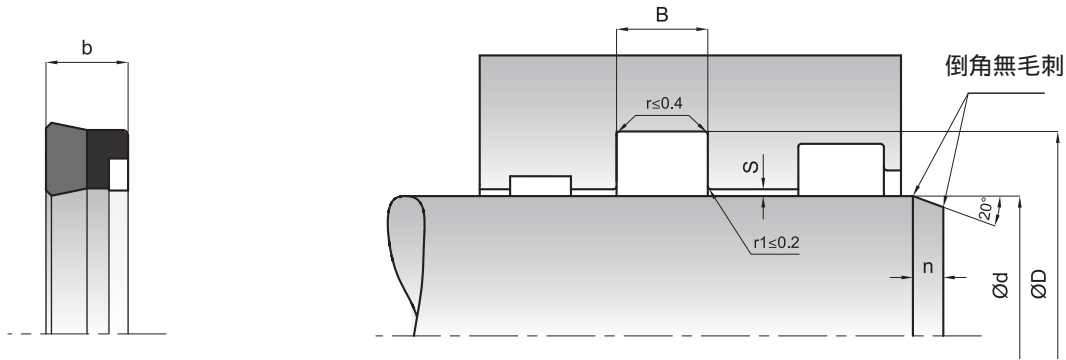


KASTAŞ NO	d (f8)	D (H9)	B (-0/+0.2)	b	n
K37-006	6	14	6.5	6.2	5
K37-012	12	23	7.5	7.2	5
K37-015	15	27	7	6.7	5
K37-016	16	28	7.5	7.2	5
K37-018	18	26	6.3	6	5
K37-018/1	18	28	6.3	6	5
K37-018/2	18	30	7.5	7.2	5
K37-020	20	30	8	7.7	5
K37-020/1	20	27	6	5.7	5
K37-020/2	20	28	6.3	6	5
K37-020/3	20	28	7	6.7	5
K37-020/4	20	30	8.5	8.2	5
K37-022	22	32	7.5	7.2	5
K37-022/1	22	29	5	4.7	5
K37-022/2	22	30	7	6.7	5
K37-022/3	22	32	10	9.7	5
K37-022/4	22	34	9.5	9.2	5
K37-022/5	22	35	10	9.7	5
K37-025	25	38	9.5	9.2	5
K37-025/1	25	33	6	5.7	5
K37-025/2	25	35	8	7.7	5
K37-025/3	25	33	6.4	6.1	5
K37-025/4	25	35	9	8.7	5
K37-025/5	25	38	10	9.7	5
K37-025/6	25.4	38.1	10	9.7	5
K37-028	28	38	8	7.7	5
K37-028/1	28	41	9.5	9.2	5
K37-028/2	28	36	6.5	6.2	5
K37-028/3	28	40	9.5	9.2	5
K37-028/4	28	41	10	9.7	5
K37-028/5	28.57	39.68	9.25	8.95	5
K37-030	30	40	10.5	10.2	5
K37-030/1	30	38	6.5	6.2	5
K37-030/2	30	40	7	6.7	5
K37-030/3	30	40	7.5	7.2	5
K37-030/4	30	45	9	8.7	5
K37-030/5	30	50	14.5	14.2	5
K37-031	31.75	47.62	11.6	11.3	5
K37-032	32	40	9	8.7	5
K37-032/1	32	42	11	10.7	5
K37-032/2	32	45	10	9.7	5
K37-034	32.92	50.8	8.5	8.2	5
K37-035	35	45	10.5	10.2	5
K37-035/1	35	50	10.5	10.2	5
K37-035/2	35	45	10	9.7	5
K37-035/3	35	50	11.5	11.2	5
K37-035/4	35	43	6	5.7	5
K37-036	36	43	6.5	6.2	5
K37-036/1	36	44	6.4	6.1	5



KASTAŞ NO	d (f8)	D (H9)	B (-0/+0.2)	b	n
K37-036/2	36	46	8.5	8.2	5
K37-036/3	36	48	12	11.7	5
K37-036/4	36	48	9.5	9.2	5
K37-038	38	55	10.5	10.2	5
K37-038/1	38.1	50.8	10	9.7	5
K37-038/2	38.1	53.97	10.5	10.2	5
K37-040	40	50	10.5	10.2	5
K37-040/1	40	55	10.5	10.2	5
K37-040/2	40	50	11	10.7	5
K37-040/3	40	48	6.5	6.2	5
K37-040/4	40	55	11	10.7	5
K37-040/5	40	50	10	9.7	5
K37-040/6	40	50	8	7.7	5
K37-040/7	40	55	8	7.7	5
K37-040/8	40	60	14.5	14.2	5
K37-042	42	52	9	8.7	5
K37-044	44.45	53.97	7.14	6.84	5
K37-044/1	44.45	53.97	7.62	7.32	5
K37-044/2	44.45	60.32	11.6	11.3	5
K37-045	45	55	10.5	10.2	5
K37-045/1	45	60	10.5	10.2	5
K37-045/2	45	55	11	10.7	5
K37-045/3	45	55	8	7.7	5
K37-045/4	45	55	7.5	7.2	5
K37-045/5	45	57	10	9.7	5
K37-045/6	45	65	14.5	14.2	5
K37-050	50	65	10.5	10.2	5
K37-050/1	50	62	10	9.7	5
K37-050/2	50	60	10.5	10.2	5
K37-050/3	50	60	10	9.7	5
K37-050/4	50	65	11	10.7	5
K37-050/5	50	62	8	7.7	5
K37-050/7	50	60	7.5	7.2	5
K37-050/8	50	60	8	7.7	5
K37-050/9	50	70	14.5	14.2	5
K37-054	54	66	9.5	9.2	5
K37-055	55	65	10.5	10.2	5
K37-055/1	55	65	12	11.7	5
K37-055/2	55	65	11	10.7	5
K37-055/3	55	75	14	13.7	5
K37-055/4	55	65	8	7.7	5
K37-055/5	55	70	10.5	10.2	5
K37-055/6	55	75	14.5	14.2	5
K37-056	56	66	10.5	10.2	5
K37-056/1	56	71	10.5	10.2	5
K37-056/2	56	76	14.5	14.2	5
K37-057	57.15	69.85	10	9.7	5
K37-060	60	70	10.5	10.2	5
K37-060/1	60	70	12.5	12.2	5

KASTAŞ NO	d (f8)	D (H9)	B (-0/+0.2)	b	n
K37-060/2	60	80	14	13.7	5
K37-060/11	60	80	14.5	14.2	5
K37-060/3	60	75	13	12.7	5
K37-060/4	60	75	12.5	12.2	5
K37-060/5	60	69.5	7	6.7	5
K37-060/6	60	70	11	10.7	5
K37-060/7	60	70	8	7.7	5
K37-060/8	60	70	13	12.7	5
K37-060/9	60	72	10	9.7	5
K37-063/1	63	75	11	10.7	5
K37-063/2	63	78	12.5	12.2	5
K37-063/3	63.5	83	14.5	14.2	5
K37-063/4	63.5	82.55	14.28	13.98	5
K37-063/5	63.5	76.2	8.5	8.2	5
K37-063/6	63.5	77.78	11.5	11.2	5
K37-065	65	80	12.5	12.2	5
K37-065/1	65	75	12.5	12.2	5
K37-065/2	65	75	13.5	13.2	5
K37-065/3	65	77	9.6	9.3	5
K37-065/4	65	80	11.5	11.2	5
K37-070	70	80	12.5	12.2	5
K37-070/1	70	85	12	11.7	5
K37-070/2	70	85	12.5	12.2	5
K37-070/3	70	90	14	13.7	5
K37-070/4	70	80	8	7.7	5
K37-070/5	70	80	13	12.7	5
K37-070/6	70	82	10.5	10.2	5
K37-070/7	70	84	12.5	12.2	5
K37-075	75	85	12.5	12.2	5
K37-075/1	75	90	11	10.7	5
K37-075/2	75	85	11	10.7	5
K37-075/3	75	90	11.5	11.2	5
K37-075/4	75	90	12.8	12.5	5
K37-075/5	75	95	14.5	14.2	5
K37-080	80	90	12.5	12.2	5
K37-080/1	80	100	12.5	12.2	5
K37-080/2	80	100	14	13.7	5
K37-080/3	80	95	12	11.7	5
K37-080/4	80	93	14.5	14.2	5
K37-080/5	80	96	10.5	10.2	5
K37-080/6	80	100	12	11.7	5
K37-080/7	80	100	14.5	14.2	5
K37-080/8	80	95	10	9.7	5
K37-085	85	100	12.5	12.2	5
K37-085/1	85	95	8	7.7	5
K37-085/2	85	100	12	11.7	5
K37-085/3	85	105	14.5	14.2	5
K37-088	88.9	114.3	19.5	19.2	5
K37-090	90	105	12.5	12.2	5
K37-090/1	90	110	12.5	12.2	5
K37-090/2	90	105	9.5	9.2	5
K37-090/4	90	106.5	10.8	10.5	5
K37-095	95	106.2	11	10.7	5
K37-095/1	95	112	12	11.7	5
K37-095/2	95	115	14.5	14.2	5
K37-100	100	115	12.5	12.2	7
K37-100/1	100	120	14	13.7	7
K37-100/2	100	125	19	18.7	7
K37-100/3	100	120	24.5	24.2	7
K37-100/4	100	115	11.5	11.2	7
K37-100/5	100	120	12	11.7	7
K37-100/6	100	120	14.5	14.2	7
K37-105	105	115	11	10.7	7
K37-105/1	105	125	12.5	12.2	7
K37-110	110	130	12.5	12.2	7



KASTAŞ NO	d (f8)	D (H9)	B (-0/+0.2)	b	n
K37-110/1	110	125	12	11.7	7
K37-110/2	110	135	15.5	15.2	7
K37-120	120	130	10.5	10.2	7
K37-120/1	120	132.7	10	9.7	7
K37-120/2	120	135	12.5	12.2	7
K37-120/3	120	140	12.5	12.2	7
K37-120/4	120	145	18.8	18.5	7
K37-125	125	150	14	13.7	7
K37-125/1	125	150	14.5	14.2	7
K37-130	130	145	13	12.7	7
K37-130/1	130	145	15	14.7	7
K37-130/2	130	150	16	15.7	7
K37-135	135	150	14	13.7	7
K37-135/1	135	160	14	13.7	7
K37-140	140	160	12	11.7	7
K37-140/1	140	155	13	12.7	7
K37-140/2	140	160	14.5	14.2	7
K37-140/3	140	160	12.5	12.2	7
K37-140/4	140	170	22.8	22.5	7
K37-145	145	157.7	10	9.7	7
K37-150	150	170	14	13.7	7
K37-150/1	150	170	14.5	14.2	7
K37-160	160	175	16	15.7	7
K37-160/1	160	180	14.5	14.2	7
K37-175	175	200	23	22.7	7
K37-180	180	200	14.5	14.2	7
K37-180/1	180	210	20.5	20.2	7
K37-190	190	210	14.5	14.2	7
K37-198	198	208	12	11.7	7
K37-200	200	220	14.5	14.2	10
K37-210	210	240	22.5	22.2	10
K37-220	220	250	20.5	20.2	10
K37-230	230	260	20.5	20.2	10