



K755 is a two piece double acting piston seal which consists of one energizing elastomer ring and special mixture thermoplastic ring.

#### PRODUCT ADVANTAGES

- Low friction, free stick-slip
- Excellent performance in large diameter cylinders and heavy duty applications
- Long service life
- High sliding speed
- Wide range of temperature and chemicals depending on the o-ring material
- Minimum static and dynamic friction coefficient for a minimum energy loss
- Simple groove design and low axial housing heights
- No twisting in the housing

#### APPLICATION

Steel industry, injection moulding machines, presses, large diameter cylinders, steel industry

MATERIAL	CODE	
PTFE	PT6003	
NBR	80 SHORE A	NB8001

#### OPERATING CONDITIONS

MEDIA	Mineral oils (DIN 51524)
TEMPERATURE	-30°C +105°C
PRESSURE	≤400 Bar
SPEED	≤5.0 m/sn

*Note: The above data are maximum values and cannot be used at the same time. For HFA HFB HFC used applications, special filled PTFE materials are recommended. Resistance in low temperature and high temperature applications can be improved by alternate elastomer compounds.*

SURFACE ROUGHNESS		Ra	Rmax
Sliding Surface	Ød	≤0.2 µm	≤2.0 µm
Groove Base	ØD	≤1.6 µm	≤6.3 µm
Groove Flanks	B	≤3.2 µm	≤16 µm

*Note: It is recommended to have 50% to 90% of the working surface material contact area value.*

#### INSTALLATION

We recommend using special assembly tool (See section; Hydraulic Sealing Elements General Installation Information). It is very important that the assembly tools must be of soft material and have no sharp edges. Before installation the sealing element must be oiled with system oil.

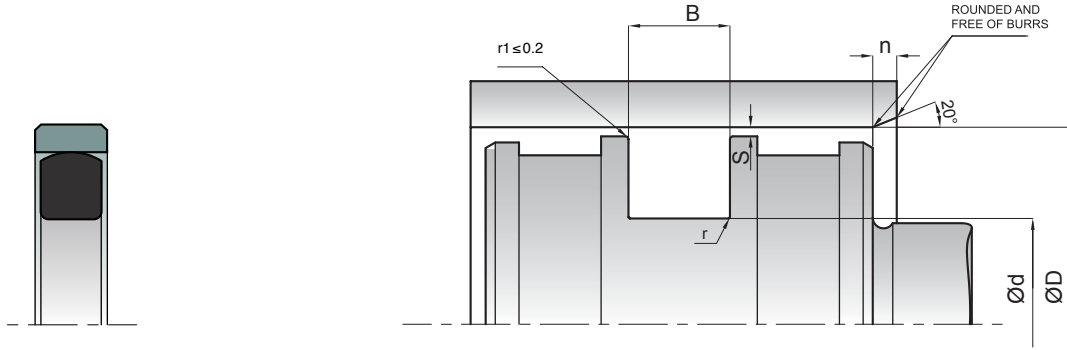
#### NOTES

For special applications that require high temperatures, rod seal is manufactured in FKM and PTFE material.

#### PERMISSIBLE SEALING GAP

B (mm)	Smax (mm)		
	150 Bar	250 Bar	400 Bar
10	0.60	0.50	0.40
12.5	0.65	0.55	0.45
15	0.70	0.60	0.50
17.5	0.75	0.65	0.55
20	0.80	0.70	0.60

*Note: All the above mentioned "S" values are maximum and it's vital to use lower values for system security.*



KASTAŞ NO	D(H8)	d(h8)	B(+0.2/-0.0)	r	n
K755 200-175	200	175	12.5	0.4	10
K755 220-195	220	195	12.5	0.4	10
K755 225-200	225	200	12.5	0.4	10
K755 240-215	240	215	12.5	0.4	12
K755 250-220	250	220	15	0.8	12
K755 260-230	260	230	15	0.8	12
K755 320-290	320	290	15	0.8	12
K755 325-295	325	295	15	0.8	12
K755 327.5-297.5	327.5	297.5	15	0.8	12
K755 340-310	340	310	15	0.8	12
K755 350-320	350	320	14	0.8	12
K755 355-325	355	325	15	0.8	12
K755 360-330	360	330	15	0.8	12
K755 430-400	430	400	15	0.8	12
K755 460-430	460	430	14	1.2	12
K755 490-460	490	460	15	1.2	12
K755 540-505	540	505	17.5	1.2	12
K755 590-555	590	555	17.5	1.2	12

Please contact our customer service for the dimensions out of our stock list.