



K85 is a double acting cover seal specially designed for static applications.

#### PRODUCT ADVANTAGES

- High operating pressures
- Interchangeable for o-ring and o-ring with back-up ring
- Easy and secure installation
- No need for additional back-up ring
- High wear resistant

#### APPLICATION

All the hydraulic applications that o-rings are being used.

MATERIAL		CODE
PU	94 SHORE A	PU9401

OPERATING CONDITIONS			
<b>MEDIA</b>	Mineral oils (DIN 51524)	HFA and HFB	HFC
<b>TEMPERATURE</b>	-35°C +110°C	+5°C +50°C	-20°C +50°C
<b>PRESSURE</b>	≤500 Bar	≤500 Bar	≤500 Bar

*Note: The above data are maximum values and cannot be used at the same time.*

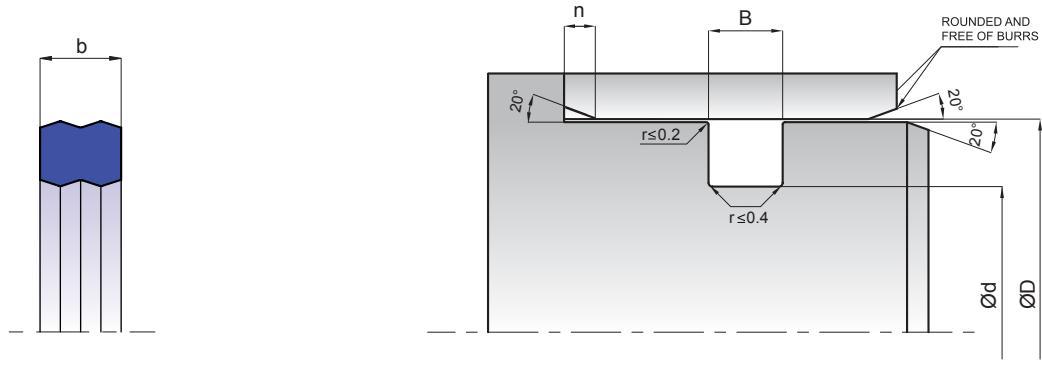
SURFACE ROUGHNESS		Ra	Rmax
<b>Sliding Surface</b>	Ød	≤0.8 µm	≤3.2 µm
<b>Groove Base</b>	ØD	≤1.6 µm	≤6.3 µm
<b>Groove Flanks</b>	B	≤6.3 µm	≤16 µm

#### INSTALLATION

Easily assembled by hand. It is very important that the assembly tools must be of soft material and have no sharp edges. Before installation the sealing element must be oiled with system oil.

#### NOTES

K85 is a double acting cover seal for outer sealing. The difficulties faced during an o-ring assembly such as twisting, ripping was solved with this design. It can be used without a back-up ring at high pressures. Due to the material, K85 does have good wear resistance to extrusion and shows good sealing performance in double acting applications.



KASTAŞ NO	D(H8)	d(h9)	B(-0/+0.2)
K85-018	18	14	5.8
K85-022	22	19.1	3.5
K85-025	25	22.1	3.5
K85-030	30	25.5	4.5
K85-035	35	30.5	4.5
K85-040	40	35.2	5.4
K85-044	44	39.5	4.5
K85-050/1	50	44.6	6.2
K85-050	50	45.4	5.4
K85-054	54	49.5	4.5
K85-058	58	53.4	3.9
K85-068	68	63.5	4.5
K85-070	70	64.6	6.2
K85-075	75	69.6	6.2
K85-076	76.4	70	5.5
K85-085	85	81.5	4.5
K85-086	86	81.5	4.5
K85-086/1	86.4	80	5.5
K85-100	100	94.4	5.3
K85-111	111.4	105	5.5
K85-115	115	106.6	8.5
K85-125	125	116.6	8.5
K85-133	133.4	125	7
K85-148	148.4	140	7
K85-158	158.4	150	7
K85-165	165	156.6	8.5
K85-188	188.2	180	7
K85-200	200	191.6	8.5
K85-225	225	213	10.7
K85-250	250	235	10.7
K85-250/1	250	238	10.7
K85-280	280	268	10.7
K85-320	320	308	10.7

Please contact our customer service for the dimensions out of our stock list.